

Kaadas



**S100**

Lever Lock



Fingerprint



PIN code



Card



Bluetooth

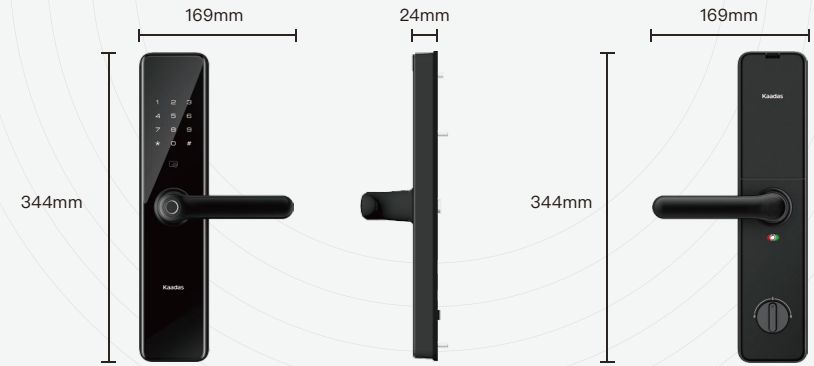


APP



Mechanical Key

Kaadas



**Security Functions**

Privacy Mode | Fake Pin Code | Lockout Mode | Safe Handle

**Alarming/Indication**

Low Voltage | Wrong-Entry Alarming



Color



Black

S100

**Product Specification**

Main Material	Aluminum Alloy	Keypad Type	Touchpad
Mortise Type	524	Code Length	6-12 Digits
Stainless Steel Deadbolt	Yes	Code Capacity	11 (1 Master Code; 10 User Codes)
Vertical Rods	No	Working Voltage	DC 6V
Voice Guide	Yes	Battery	4 AA Alkaline Batteries
Handing	Universal	Working Temperature (°C)	-20-60°C
Emergency Cylinder	Super Grade B	Emergency Power	5V Micro USB
Fingerprint Sensor	Semiconductor	RH (%)	20-90
Fingerprint Capacity	100	IoT Connection	Optional
Card Type	Mifare/13.56MHz	Door Category	Wooden, Anti-burglary Door, Steel
Card Capacity	100	Door Thickness (mm)	38-120